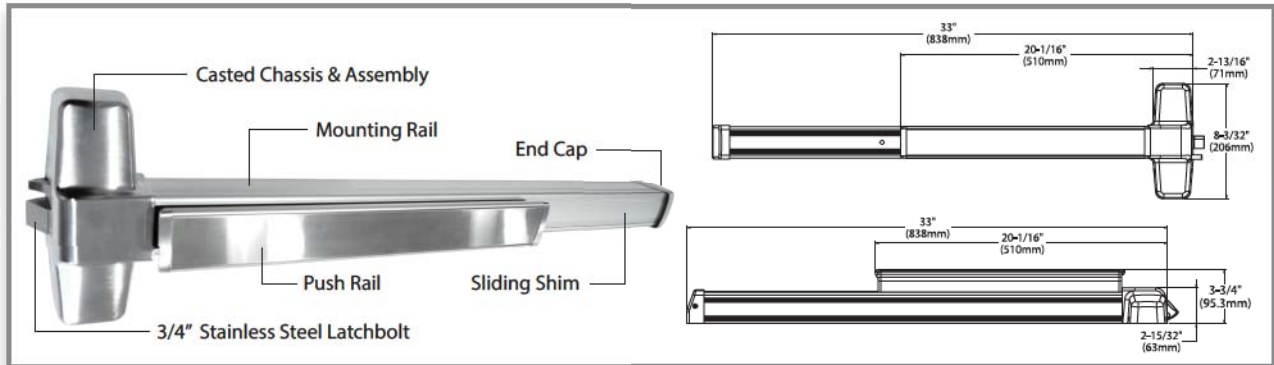


**ED93/ED93F Rim Exit Device** Heavy Duty ANSI Grade 1 Commercial Exit Device

**Application and Features**

- INOX ED93 and ED93F Rim Exit Devices are suited for most single door applications. They can also be used on double doors when using a mullion.
- INOX ED93 and ED93F Rim Exit Devices are UL listed for Panic and Fire Exit Hardware. They meet ANSI A156.3 Grade 1 standards and will install on a standard 161 cut out.
- INOX ED93 and ED93F Rim Exit Devices are non-handed with a universal design that allows them to easily retrofit the Von Duprin 99 series installation when paired with with our Inox exit device trim.
- INOX ED93 and ED93F Rim Exit Devices will fit all doors up to 36" in width and 1-3/4" in thickness. 48" width devices can be ordered as an option. Cylinder dogging kits are also available as an option on a non-rated device.

**Finishes:**

Stocking: US32D - (630) Satin Stainless Steel  
 Special Order:  
 AL - US28 (689) Aluminum Painted  
 DU - US20 (690) Duro/Dark Bronze Painted  
 GD - Gold Painted  
 US3 - (605,632) Bright Brass Plated  
 US4 - (606,633) Satin Brass Plated  
 US26 - (625,651) Bright Chrome Plated  
 US26D - (626,652) Satin Chrome Plated  
 US10B - (613,640) Oil Rubbed Bronze Plated  
 US10 - (612, 639) Oil Rubbed Bronze Plated

**Code Compliance**


- ANSI/BHMA A156.3 Grade 1 Exit Devices
- ANSI/BHMA A156.29 Exit Lock and Alarm
- UL Listed for ANSI/UL10B and UL10C, CAN/ULC S104 Upto 3 Hours
- UBC Standard 7-2 (1997) NFPA 252
- ANSI/UL 305 and CAN/ULC-S132
- NFPA 80 National Fire Protection - Fire Door Assembly
- NFPA101 National Fire Protection - Life Safety
- ANSI/BHMA A156.18 Finishes
- ANSI A117.1 ADA Accessibility
- Electrification - ANSI/UL634, ANSI/UL294, ANSI/UL10C

**Specifications**

- **Device Functions:**  
Exit device only, trims available separately
- **Device Lengths:**  
3': 2'2" to 3' (660mm to 914mm) Door Size  
4': 2'9" to 4' (838mm to 1219mm) Door Size
- **Strikes:**  
Dull Black Rim Strike (EDLSR-239)
- **Dogging Feature:**  
Hex Key Dogging available on Non-Fire Rated Devices Only
- **Dogging Options:**  
Cylinder Dogging kits available
- **Electric Options:**  
Alarm Kit 36" and 48" available
- **Miscellaneous Options:**  
GBK Glass Bead Kit
- **Fasteners & Sex Bolts:**  
Furnished with wood & machine screws  
Thru-bolts standard on Fire-Rated devices
- **Latch Bolt:**  
Stainless Steel 3/4" (19mm) throw
- **Device Centerline From Finished Floor:**  
41" (1041mm)
- **Center Case Dimensions:**  
8-3/32" x 2-13/16" x 2-15/32" (206mm x 71mm x 63mm)
- **Mechanism Case Dimensions:**  
2-3/16" w x 1-15/16" (55.4mm x 49.1mm)
- **Projections:**  
Pushbar Neutral 3-3/4" (95.3mm)  
Pushbar Depressed 2-15/16" (74.5mm)

**Warranty**

Lifetime Warranty