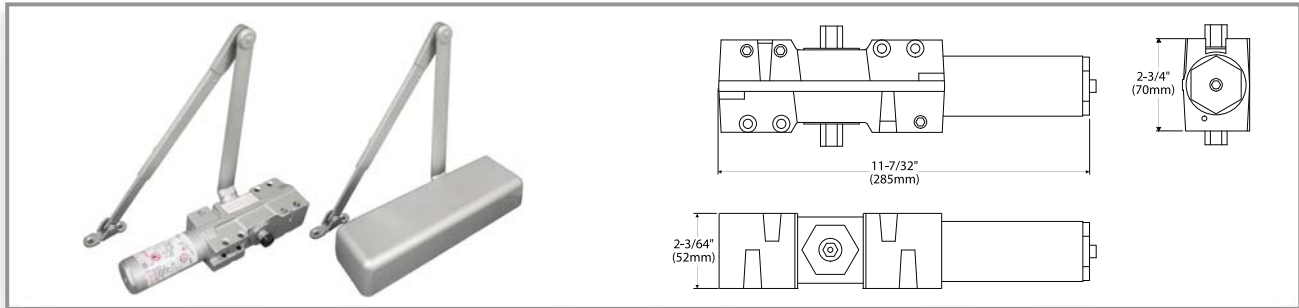


DC9016 Grade 1 Extra Heavy Duty Door Closer



Specifications

- DC9016: Adjustable Power Size 1 Thru 6 meets ADA Barrier-Free requirements
- Cast Iron body
- Rack-and-Pinion Design
- Standard, separate and independent, latch, sweep and back-check pressure valves
- Non-Handed
- Plastic full cover standard
- Tri-packed
- 38mm (1-1/2") diameter piston
- 18mm (45/64") diameter pinion shaft
- 58mm (2-9/32") projection, with full cover

Options

- Delayed Action (DC9016DA)
- Hold Open Arm (HO), Cush Arm (CUSH), Hold Open Cush Arm (HCUSH)
- Extra Duty Arm (EDA), Hold Open Extra Duty Arm (HEDA)
- Slide Track (ST): push or pull side mounting
- Slide Track Hold Open Arm (STH)
- Plastic Full Cover (DCCV90F) and Metal Cover (DCCV90MT)
- Drop Plates for Narrow Top Rail

Finishes

Stocking: AL - US28 (689) Aluminum Painted
 Special Order:
 DU - US20 (690) Duro/Dark Bronze Painted
 GD - Gold Painted
 US3 (632) Bright Brass
 US4 (633) Satin Brass
 US26 (651) Bright Chrome
 US15 (646) Satin Nickel
 US32D (630) Satin Stainless Steel - Cover Only

Code Compliance



- ANSI/BHMA A156.4 Grade 1 Closers
- ANSI A117.1 ADA Accessibility
- UL Listed for ANSI/UL10B and UL10C, CAN/ULC S104 up to 3 Hours
- UL 228 UBC Standard 7-2 (1997) NFPA 252
- NFPA 80 National Fire Protection - Fire Door Assembly
- NFPA101 National Fire Protection - Life Safety
- ANSI/BHMA A156.18 Finishes

Features

• Cast Iron Body

Closer bodies are constructed of high grade cast iron designed for high traffic conditions

• Rack & Pinion Operation

Provides a smooth constant control of the door through its full opening and closing cycle. 180° door swing, can be achieved when door, frame, and/or arm do not interfere

• Non-Handed

DC9016 door closer is non-handed and can be installed on either right or left hand swing doors

• Sweep Speed Control Valve

Allows adjustment of door speed from the doors full open position down to approximately 10° from the closed position

• Latch Speed Control Valve

Allows adjustment of door latch speed from approximately 10° down to the door's fully closed position

• Tri-Packed

DC90 Series come with self-tapping (SRT), sex nuts & bolts (SNB) and parallel arm (PA) bracket to allow for regular, top jamb, and parallel arm installations

• Adjustable Back-Check Valve

Provides control of the door in the opening cycle, beginning at approximately 75° of door opening. It cushions the door opening when the door is forcibly opened beyond its preadjusted setting

• Standard Molded Cover

Molded from high impact material
 Our covers are non-handed for all applications

• Multi-Sized Door Closer

Adjustable through the power range of 1 through 6, (shipped as size 3). DC9016 door closer also conforms to the opening force requirements of the ADA and ANSI/BHMA standard A117.1 for interior doors

Warranty

Lifetime Warranty