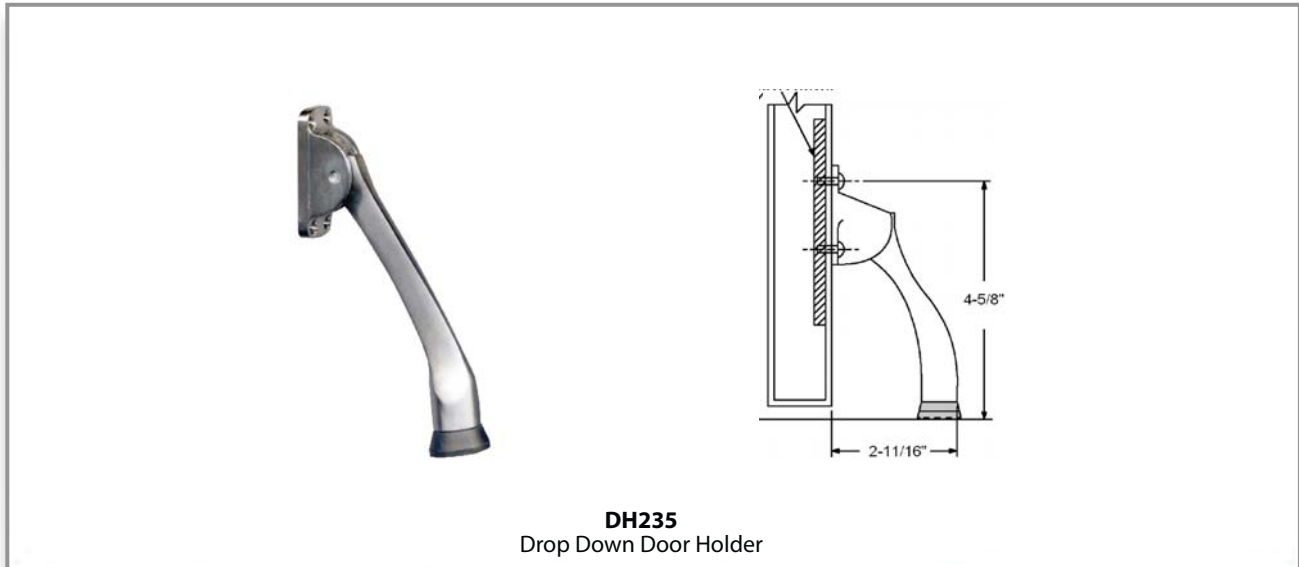


Door Holder

DH235



Features

- ANSI L11382
- DH235 - 5" Cast Brass Holder
- Stops Individually wrapped with mounting screws
- Polybagged 4 sheet metal screws

Specifications

Door holders shall be by INOX® model number DH235, 5" cast brass. All holders to be provided with steel Phillips sheet metal screws plated to match finish. Each door holder shall be individually wrapped with mounting screws

Finishes

- Stocking: US26D (626) Satin Chrome
Special Order:
- US3 (605) Bright Brass
 - US4 (606) Satin Brass
 - US10B (613) Oil Rubbed Bronze

Code Compliance



- ANSI A156.16 - L11382
- NFPA 80 - National Fire Protection Association
- NFPA-101 National Fire Protection. - Life Safety

Warranty

3 Year Warranty