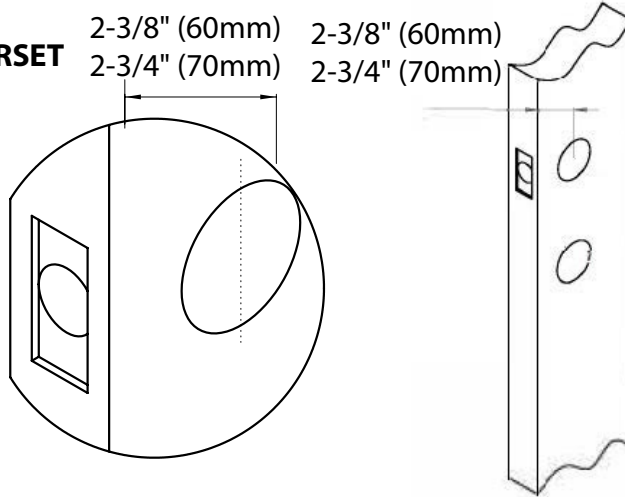


4SU eVfSdMUS'lg'SfW Xh\_ fZW  
 LW fWdaXFZWfadWZa Wfa fZW  
 `VSd'f WYWaxfZWaadž

| TUBULAR       | MORTISE                            | POCKET/SLIDING  | BD4000 BARN DOOR LOCK |
|---------------|------------------------------------|-----------------|-----------------------|
| 2-3/8" (60mm) | 2" (51mm) option for Entrance Sets | 2" (51mm)       | 2-1/4" (57mm)         |
| 2-3/4" (70mm) | 2-3/4" (70mm) - standard           | 2-1/2" (63.5mm) | 3-1/2" (89mm)         |
|               |                                    | 2-3/4" (70mm)   |                       |

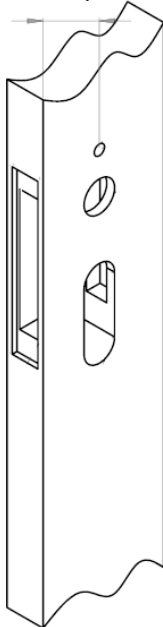
**TUBULAR LEVERSET or DEADBOLT**



? ADF;E7  
 435=E7FE

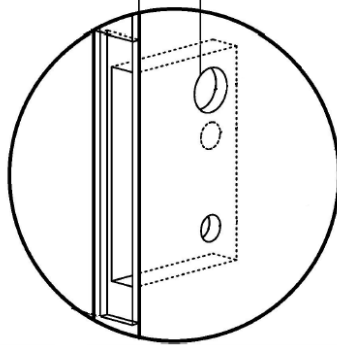
**Entrance Handleset**

2-1/2" (63.5mm)  
 2-3/4" (70mm)



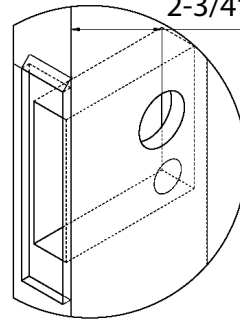
**Lockset**

2-3/4" (70mm)



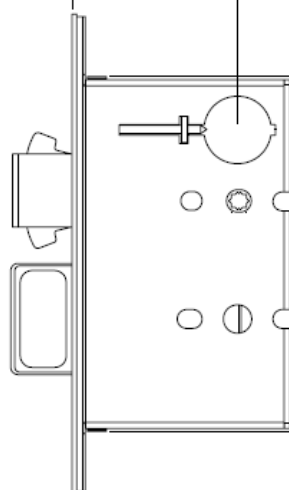
**Small Mortise Deadbolt**

2-3/4" (70mm)



**Pocket/Sliding Door**

2" (51mm)  
 2-1/2" (63.5mm)  
 2-3/4" (70mm)



**BD4000 Barn Door Locks**

Calculate backset from center of bore hole to nearest edge of jamb

