

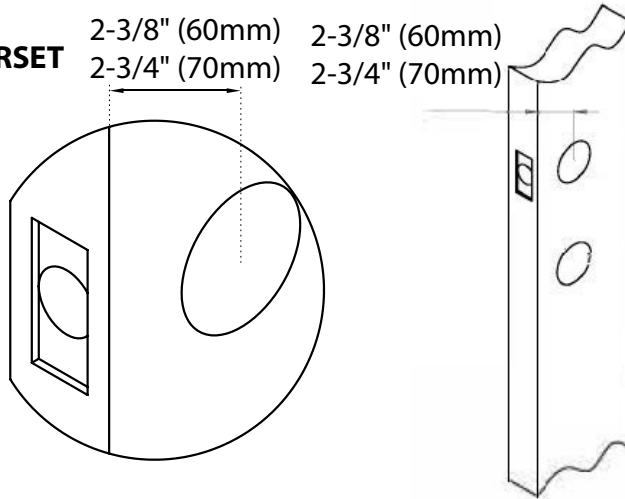


BACKSET OPTIONS

TUBULAR	MORTISE	POCKET/SLIDING	BD4000 BARN DOOR LOCK
2-3/8" (60mm)	2" (51mm) option for Entrance Sets	2" (51mm)	2-1/4" (57mm)
2-3/4" (70mm)	2-3/4" (70mm) - standard	2-1/2" (63.5mm)	3-1/2" (89mm)
		2-3/4" (70mm)	

Backsets are calculated from the center of the bore hole to the nearest edge of the door.

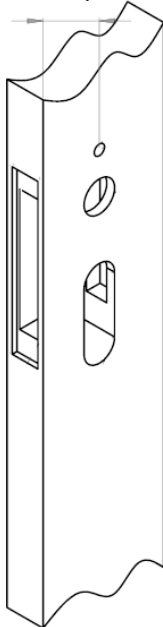
TUBULAR LEVERSET or DEADBOLT



MORTISE BACKSETS

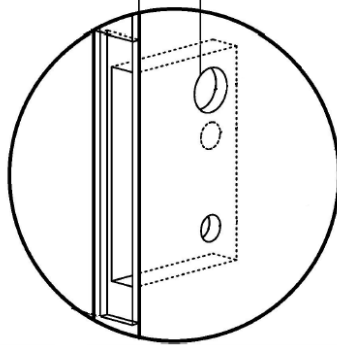
Entrance Handleset

2-1/2" (63.5mm)
2-3/4" (70mm)



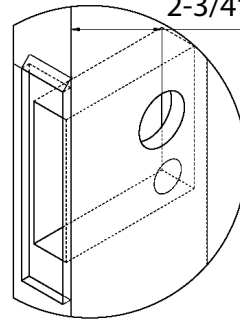
Lockset

2-3/4" (70mm)



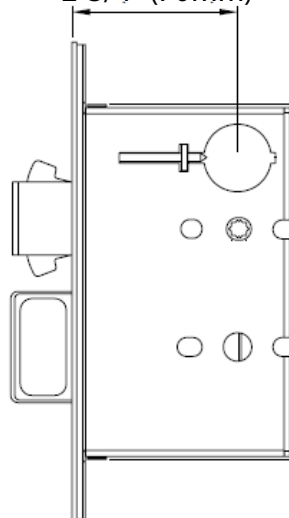
Small Mortise Deadbolt

2-3/4" (70mm)



Pocket/Sliding Door

2" (51mm)
2-1/2" (63.5mm)
2-3/4" (70mm)



BD4000 Barn Door Locks

Calculate backset from center of bore hole to nearest edge of jamb

2-1/4" (57mm)
3-1/2" (89mm)

