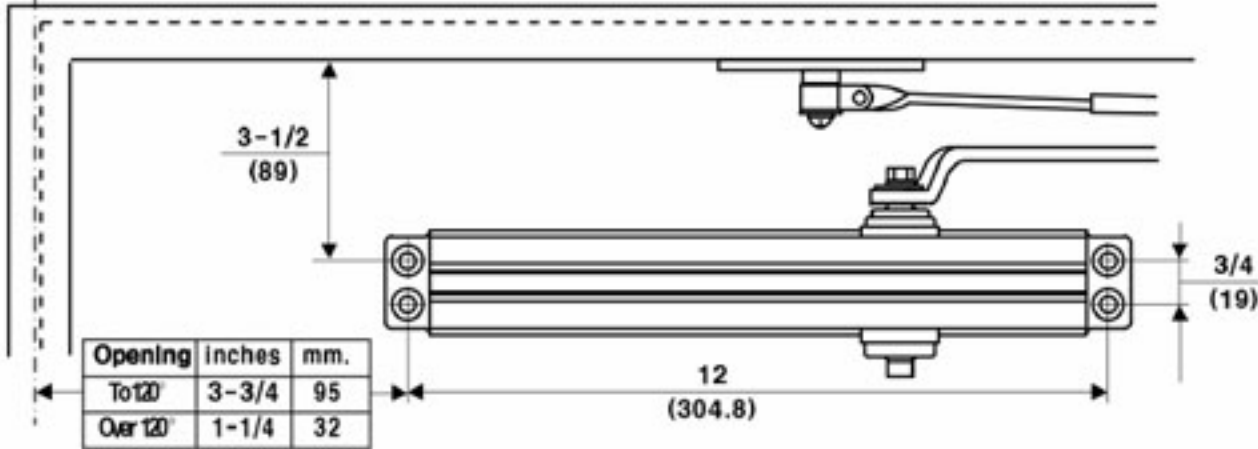
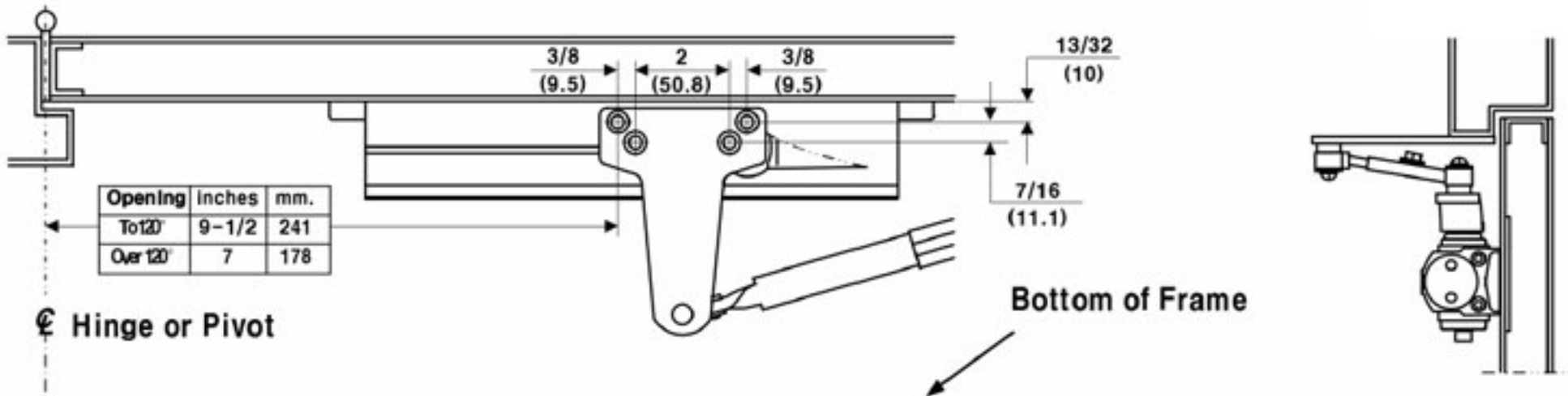


TEMPLATE FOR DC85 SERIES DOOR CLOSER PARALLEL ARM INSTALLATION



- THIS DRAWING IS NOT TO FULL SCALE
- LEFT HAND DOOR SHOWN
- SAME DIMENSIONS APPLY FOR RIGHT HAND DOOR MEASURED FROM CENTERLINE OF PIVOT POINT.
- DIMENSIONS ARE IN $\frac{\text{INCHES}}{\text{(mm.)}}$

