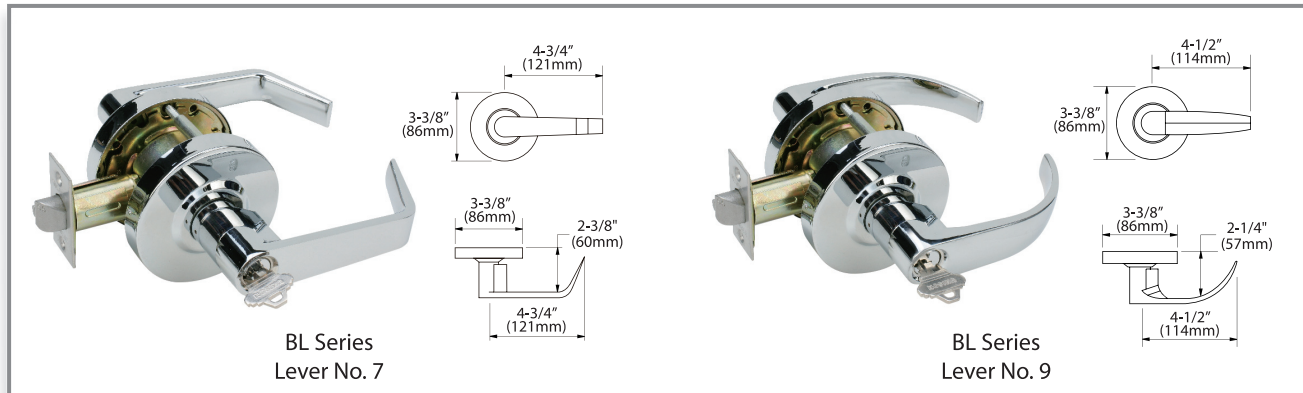


BL Leversets Grade 2

Commercial Cylindrical Locks



Specifications

- **Door Thickness:** 1-1/2" (38mm) ~ 2" (51mm) doors standard.
- **Door Prep:** Standard 161 Prep. w/optional thru-bolts
Crossbore 2-1/8" (54mm), Edgebore 1" (25mm),
Latch face 1-1/8" (28.6mm) x 2-1/4" (57mm).
- **Backset:** 2-3/4" (70mm) standard. 2-3/8" (60mm) and
5" (127mm) optional.
- **Cylinder:** 6-pin anti-pick tumbler, solid brass cylinder.
- **Keys:** Two (2) keys per lock. Schlage C keyway.
Keyed-Different standard. Keyed-Alike, Construction key,
Master Key suite or other keyway available by special
order.
- **Handing:** Non-handed.
- **Trim:** Solid zinc diecast levers.
55° lever rotation for full latch retraction.
- **Rose:** 3-3/8" (86mm) diameter. Brass roses. Concealed screws.
Threaded interior and exterior roses.
Removable through bolts
- **Clutch Function (CL):** Outside lever free wheeling while
locked to prevent vandalism.
- **Latchbolt:** 1/2" (13mm) throw, stainless steel 3 hour fire rated
latchbolt. Reversible for flat and beveled doors.
- **Faceplate:** 1-1/8" (28.6mm) x 2-1/4" (57mm) square corner
standard. Stainless steel or brass faceplate.
- **Strike:** ANSI curved lip strike 4-7/8" (124mm) x 1-1/4" (32mm) x
1-1/4" (32mm) lip to center standard. Full lip strike or T
strike available.

Warranty

5 Year Warranty

Finishes

Stocking: US26D (626) Satin Chrome
Special Order:
US26 (625) Bright Chrome Plated
US3 (605) Bright Brass
US4 (606) Satin Brass
US10B (613) Oil Rubbed Bronze

Functions

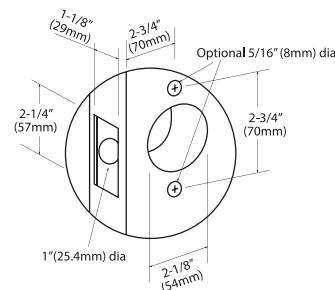
Non-Keyed Locks:

- Passage Latch (F75)
- Bath/Bedroom Privacy Lock (F76)
- Communicating/Exit Lock
- Single Dummy Trim

Keyed Locks:

- Entrance (F109)
- Classroom Lock (F84)
- Storeroom Lock (F86)

Door Preparation



Code Compliance



- ANSI A156.2 Grade 2
- UL 10C and UBC 7.2 3 hour Fire Rated for positive pressure.
- ANSI A117.1 ADA Barrier-free Accessibility
- C-UBC California Uniform Builders Code-2001
- NFPA-80 National Fire Protection-1999
- NFPA-101 National Fire Protection-Life Safety-2000