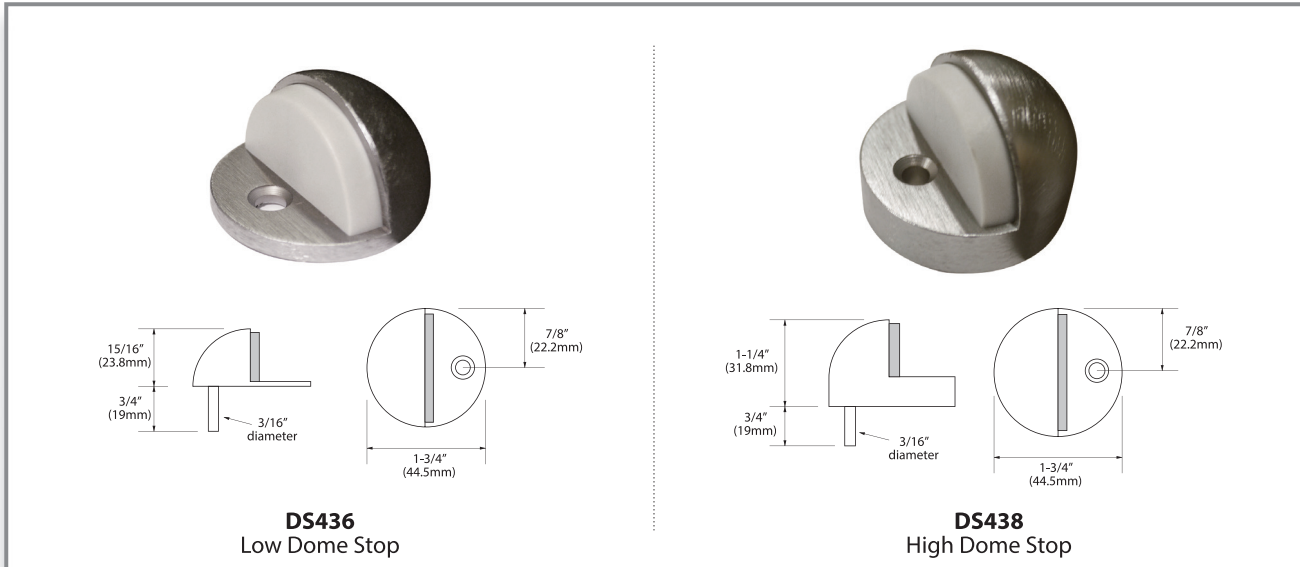


Door Stops

DS436 and DS438

**Features**

- DS436 - 1/4" Rise x 1 Low Dome Stop
- DS438 - 1/2" Rise x 1-1/4" High Dome Stop
- Material: cast brass or stainless steel
- DS436BR - ANSI L12141
- DS438BR - ANSI L12161
- DS436SS - ANSI L52141
- DS438SS - ANSI L52161
- Stops Individually wrapped with mounting screws

Finishes

Stocking: US26D (626) Satin Chrome

Special Order:

- US32D (630) Satin Stainless Steel
- US3 (605) Bright Brass
- US4 (606) Satin Brass
- US10B (613) Oil Rubbed Bronze
- US26 (625) Bright Chrome

Warranty

3 Year Warranty

Specifications

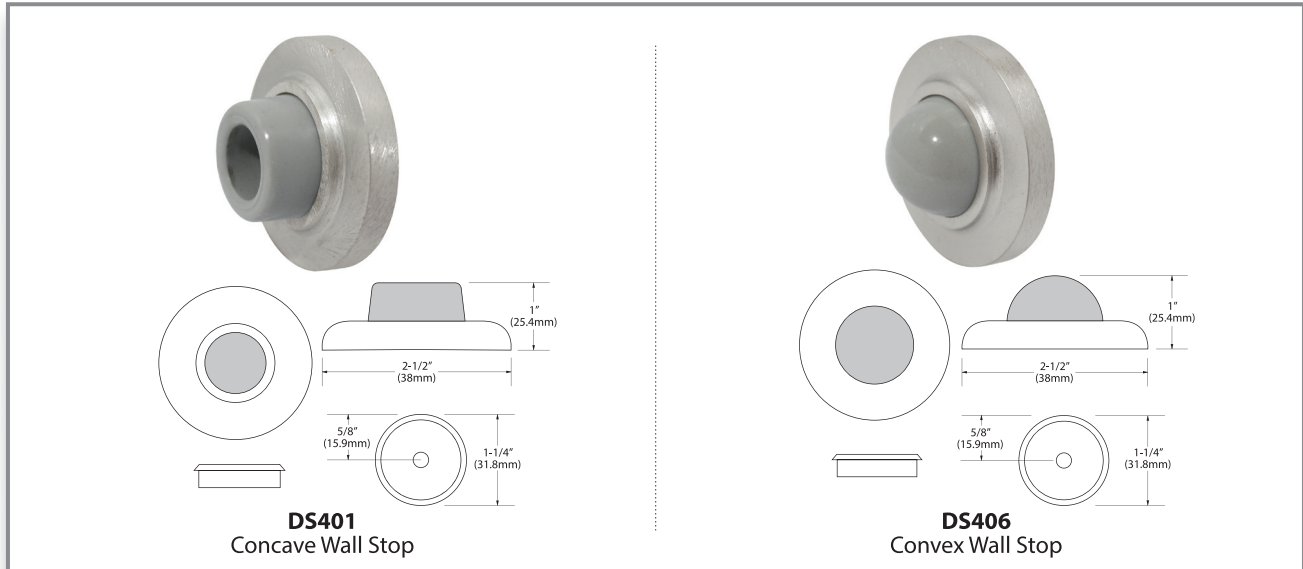
Stops and holders shall be by INOX model number. All stops to be provided with steel phillips sheet metal screws plated to match finish. Each stop shall be individually wrapped with mounting screws.

Code Compliance

- ANSI 156.16 - L12141, L12161, L52141, L52161
- C-UBC - California Amended Uniform Builders Code
- NFPA 80 - National Fire Protection Association
- NFPA-101 National Fire Protection Assor. - Life Safety

Door Stop / Wall Bumpers

DS401 and DS406



Features

- DS401 - Concave Door Stops, Wall Mount
- DS406 - Convex Door Stops, Wall Mount
- Material: Cast Brass or Wrought Stainless Steel
- DS401BR - ANSI L12101
- DS406BR - ANSI L52101
- DS401SS - ANSI L12251
- DS406SS - ANSI L52251
- Stops Individually wrapped with mounting screws

Finishes

- Stocking: US26D (626) Satin Chrome
 Special Order:
- US32D (630) Satin Stainless Steel
 - US3 (605) Bright Brass
 - US4 (606) Satin Brass
 - US10B (613) Oil Rubbed Bronze
 - US26 (625) Bright Chrome

Warranty

3 Year Warranty

Specifications

Stops shall be by INOX model number DS401 or DS406 and made of pressure cast zinc. All stops to be provided with steel phillips sheet metal screws plated to match finish. Each stop shall be individually wrapped with mounting screws.

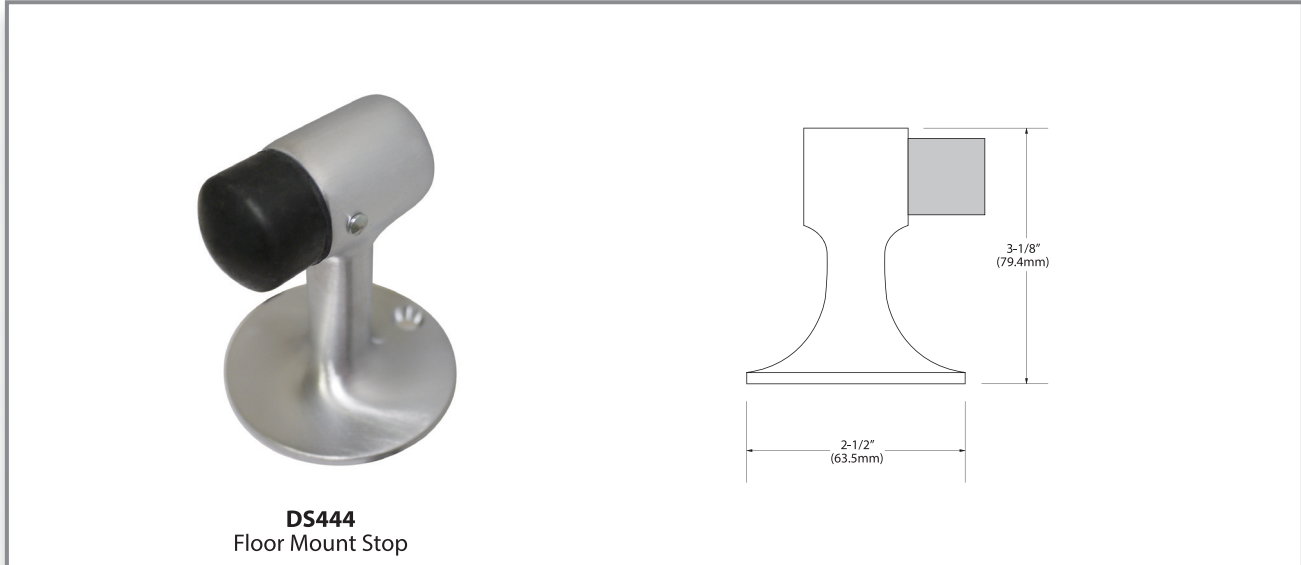
Code Compliance



- ANSI 156.16 - L12101, L12251, L52101, L52251
- C-UBC - California Amended Uniform Builders Code
- NFPA 80 - National Fire Protection Association
- NFPA-101 National Fire Protection - Life Safety

Door Stop, Floor Mount

DS444

**Features**

- DS444 - ANSI L12131 - 3-1/8" High Door Stops, Floor Mount
- Material: Stainless Steel
- Stops Individually wrapped with mounting screws

Specifications

Stops shall be by INOX model number DS444 and made from solid cast brass. All stops to be provided with steel phillips sheet metal screws plated to match finish. Each stop shall be individually wrapped with mounting screws.

Finishes

Stocking: US26D (626) Satin Chrome

Special Order:

- US32D (630) Satin Stainless Steel
- US3 (605) Bright Brass
- US4 (606) Satin Brass
- US10B (613) Oil Rubbed Bronze
- US26 (625) Bright Chrome

Code Compliance

- A156.16 - L12131
- Fed Spec # 1328E
- C-UBC - California Amended Uniform Builders Code
- NFPA 80 - National Fire Protection Association
- NFPA-101 National Fire Protection Assor. - Life Safety

Warranty

3 Year Warranty