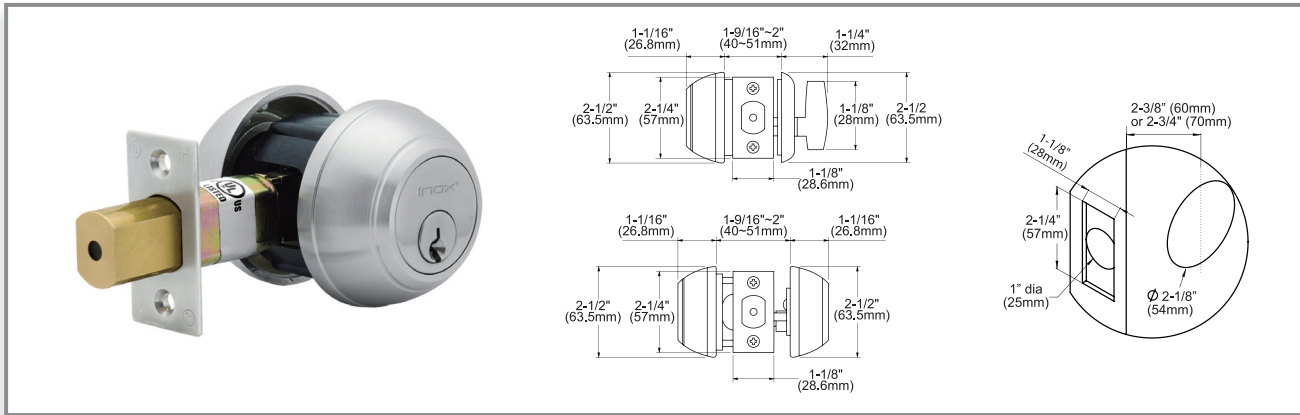


CX Deadbolt Grade 1 Heavy Duty Commercial Deadbolt**Specifications**

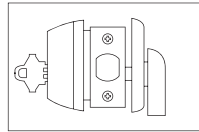
- **Door Thickness:** 1-9/16" (40mm) ~ 2" (51mm) doors standard.
- **Backset:** 2-3/8" (60mm) or 2-3/4" (70mm)
- **Handing:** Non-handed.
- **Exposed Trim:** 2-1/2" (63.5mm) diameter solid brass, one-piece design exceeds BHMA/ANSI Grade 1 security against hammer and crowbar prying attacks.
- **Faceplate:** 1-1/8" (28.6mm) x 2-1/4" (57mm) with square corners stainless steel or brass faceplate.
- **Dead Bolt:** 1" (25mm) throw deadbolt with saw-resistant hardened steel core.
- **Strike:** 1-1/8" (28.6mm) x 2-3/4" (70mm) with steel reinforce.
- **Cylinder & Keys:** 6-pin anti-pick cylinder in Schlage C keyway keyed different with 2 brass keys per lock. Small Format Interchange Core (SFIC) available by specifying IC, Cores order separately.
- **Keying Options:** Keyed Alike, Master keying, Grand Master Keying, and Construction Keying available by special order. Nickel silver keys available by special order.

Finishes

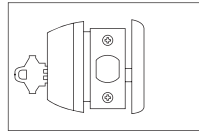
- Stocking: US26D (626) Satin Chrome
- Special Order:
US26 (626) Bright Chrome
US3 (605) Bright Brass
US4 (606) Satin Brass
US15 (619) Satin Nickel
US10 (612) Satin Bronze
US10B (613) Oil Rubbed Bronze

Warranty

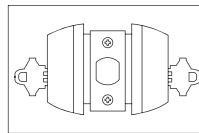
10 Year Warranty

Functions**CX660 (ANSI: E1251)
Single Cylinder**

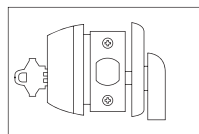
- Deadbolt thrown or retracted by key from outside or by turning inside turn
- Bolt automatically deadlocks when fully thrown

**CX661 (ANSI: E2161)
Cylinder Only x Blank Plate**

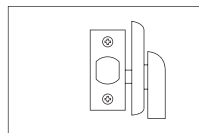
- Deadbolt thrown or retracted by key outside
- Blank plate with exposed screws inside

**CX662 (ANSI: E2141)
Double Cylinder**

- Deadbolt thrown or retracted by key from either side
- Bolt automatically deadlocks when fully thrown

**CX663 (ANSI: E2171)
Classroom Deadbolt**

- Deadbolt thrown only by key outside
- Deadbolt retracted by key outside or thumbturn inside

**CX680 (ANSI: E2191)
Door Bolt**

- Deadbolt operated by turn button only no outside trim. Bore halfway through door for installation visible from one side of door only

Code Compliance

- ANSI/BHMA A156.36 & A156.5 Grade 1
- UL Listed for UL10B and UL10C, Up to 3 Hours
- UBC Standard 7-2 (1997) NFPA 252
- NFPA 80 National Fire Protection - Fire Door Assembly
- NFPA101 National Fire Protection - Life Safety
- ANSI/BHMA A156.18 Finishes
- ANSI A117.1 ADA Accessibility