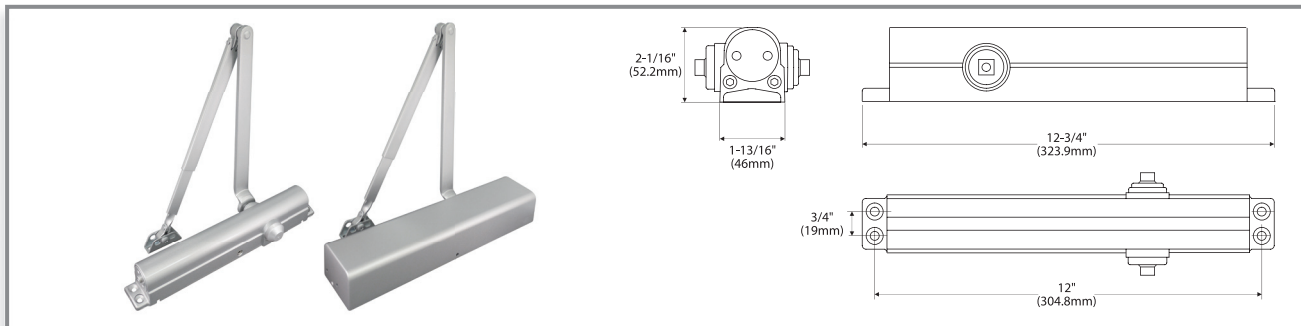


## DC8516 Grade 1 Heavy Duty Door Closer



### Specifications

- DC8516: Adjustable Power Size 1 Thru 6 Meets ADA Barrier-Free requirements
- One piece Aluminum Alloy Body
- Rack-and-Pinion design
- Separate and independent, latch, sweep and back-check pressure valves
- Non-Handed
- Plastic full cover standard
- Tri-packed
- SRT fasteners furnished standard
- 32mm (1-17/64") diameter piston
- 16mm (5/8") diameter pinion shaft
- 53mm (2-3/32") projection, w/o cover
- All standard arm applications with covers will allow doors to swing 180°, conditions permitting

### Options

- Delayed Action (DC8516DA)
- Hold Open Arm (DCAMHO), Cush Arm (DCAMCUSH), Hold Open Cush Arm (HCUSH)
- Slide Track (DCAMST): push or pull side mounting
- Slide Track Hold Open Arm (DCAMSTH)
- Plastic Slim Cover (DCCV85SLC) and Stainless Steel Cover (DCCV85FSS)
- Drop Plates for Narrow Top Rail and Glass Doors (DCDP85P)

### Finishes

Stocking: AL - US28 (689) Aluminum Painted  
 Special Order:  
 DU - US20 (690) Duro/Dark Bronze Painted  
 GD - Gold Painted  
 US3 (632) Bright Brass Plated  
 US4 (633) Satin Brass Plated  
 US26 (651) Bright Chrome Plated  
 US15 (646) Satin Nickel Plated  
 US32D (630) Satin Stainless Steel - Cover Only

### Code Compliance



- ANSI/BHMA A156.4 Grade 1 Closers
- ANSI A117.1 ADA Accessibility
- UL Listed for ANSI/UL10B and UL10C, CAN/ULC S104 Upto 3 Hours
- UL 228 UBC Standard 7-2 (1997) NFPA 252
- NFPA 80 National Fire Protection - Fire Door Assembly
- NFPA101 National Fire Protection - Life Safety
- ANSI/BHMA A156.18 Finishes

### Features

- **Aluminum Alloy Body**  
Closer bodies are cast of special aluminum alloy and machined to accommodate interactive steel components under operation conditions
- **Rack & Pinion Operation**  
Provides a smooth constant control of the door through its full opening and closing cycle. 180° door swing, closer on (hinge side) can be achieved when door, frame, and arm do not interfere
- **Non-Handed**  
DC8516 door closer is a non-handed and can be installed on either right or left hand swing doors
- **Sweep Speed Control Valve**  
Allows adjustment of door speed from the doors 90° open position down to approximately 10° from the closed position
- **Latch Speed Control Valve**  
Allows adjustment of door latch speed from approximately 10° down to the door's fully closed position
- **Tri-Packed**  
DC85 Series come with Self-tapping screws (SRT), Sex-Nuts & Bolts (SNB), and Parallel Arm (PA) Bracket to allow for regular, top jamb, and parallel arm installations
- **Adjustable Back-Check Valve**  
Provides control of the door in the opening cycle, beginning at approximately 75° of door opening. The valve cushions the door opening when the door is forcibly opened beyond its preadjusted setting
- **Standard Molded Cover**  
Molded from high impact material  
Covers are non-handed for all applications
- **Multi-Sized Door Closer**  
Adjustable through the power range of 1 through 6, (shipped as size 3). DC8516 door closer also confirms to the opening force requirements of the ADA and ANSI/BHMA standard A117.1 for interior doors

### Warranty

Lifetime Warranty